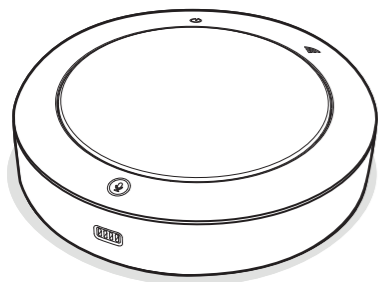


V2无线拾音器快速安装指南

V2 Wireless Microphone Quick Start Guide



使用前请先阅读此使用指南

Please read this guide before using the product

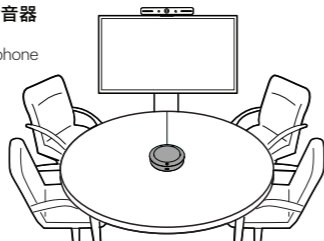
产品介绍 Instructions

感谢您购买此V2无线拾音器。本拾音器可由USB或2.4GHz无线连接进行电话会议的完美解决方案。其可广泛适用于任何视频会议或个人视频聊天使用。此快速入门指南提供简要介绍如何开始使用此2.4GHz无线拾音器的步骤。

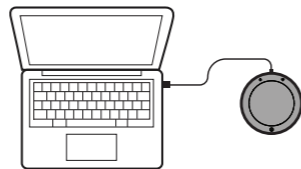
Thank you for purchasing V2 wireless microphone. This microphone device is a perfect solution for conference calls using USB or 2.4GHz wireless connections. It can be easily used in any video conference meeting or any personal video chat. This quick start guide briefly describes the steps to start using this 2.4GHz wireless microphone.

运用范围 Application

视频会议室无线免持拾音器
Video conferencing room
hands-free wireless microphone



个人视频聊天免持拾音器
Personal video chat
hands-free microphone



规格参数 Specifications

型号:	V2
类型:	360度全向拾音器
频率范围:	20Hz~10KHz
灵敏度:	-46 ± 3分贝/毫瓦
信噪比:	58分贝
传输方式:	有线 (USB 2.0) / 无线 (2.4GHz)
无线传输:	2.4~2.4835GHz ISM频段 · 最远可达10米
射频功率:	10dBm
供电:	+5V DC (Micro-USB供电)
支持系统:	ViiTALK云视频系统(Android) Windows 7, 8.1, 10 MacOS 10.7 或以上版本
工作温度:	温度32 - 104°F (0~40°C) · 湿度20%~85%
尺寸:	120 x 120 x 30 毫米
重量:	约200克

注意：规格如有更改，恕不另行通知。

Model No.:	V2
Type:	360 Degree Omnidirectional Microphone
Frequency Range:	20Hz~10KHz
Sensitivity:	-46dB±3dB/mW
Signal to Noise Ratio:	58dB
Transmission:	USB (USB 2.0) / Wireless (2.4GHz)
Frequency Band:	22.4~2.4835GHz ISM Band (10 meters fair-field)
Power:	+5VDC (USB Powered)
Operation System:	ViiTALK Video Conferencing System (Android) Windows 7, 8.1, 10 MacOS 10.7 or later
Operating Temperature:	Temp 32 - 104°F (0~40°C), Humidity 20%~85%
Dimension:	120 x 120 x 30 mm
Weight:	200 g

NOTE: Specifications are subject to change without notice.

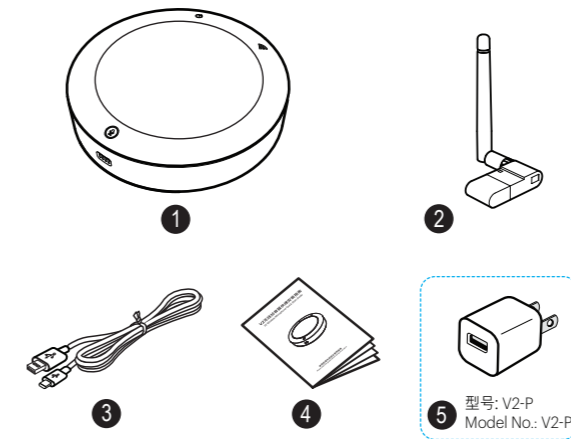
包装内容 Package Contents

使用前，请确保包装内容中有包含以下物品。如果任何内容配件遗漏，请联系您所购买此产品的商家。

Before use, make sure the following items are included in the package. If anything is missing, contact the retailer where you purchased the product.

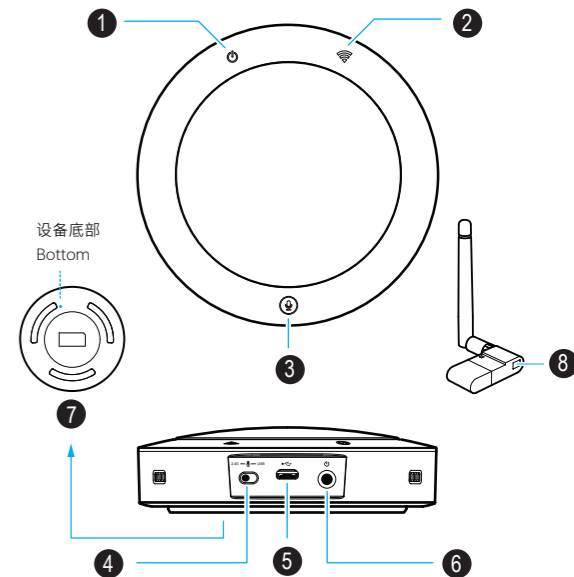
- | | |
|---------------|-----------------------------|
| 1. 2.4G拾音器主机 | 1. 2.4G Microphone |
| 2. 2.4G无线接收器 | 2. 2.4G Wireless Receiver |
| 3. USB线 | 3. USB Cable |
| 4. 快速安装指南 | 4. Quick Start Guide |
| 5. 电源适配器 (选配) | 5. Power Adapter (Optional) |

注意：标准包装中不提供电源适配器。
NOTE: An AC adapter is not supplied in the standard package.



产品概观 Product Overview

- | | |
|-------------------|-------------------------------------|
| 1. 电源LED指示灯号 | 1. Power LED Indicator |
| 2. 连线LED指示灯号 | 2. Connection LED Indicator |
| 3. 静音触摸键 | 3. Mute Button |
| 4. 2.4G / USB连线切换 | 4. 2.4G / USB Switch |
| 5. USB电源输入 | 5. USB Power Input |
| 6. 电源开/关 | 6. Power On/Off |
| 7. 2.4G连线重置按键 | 7. 2.4G Connection Reset Key |
| 8. 2.4G无线接收器重置按键 | 8. 2.4G Wireless Receiver Reset Key |



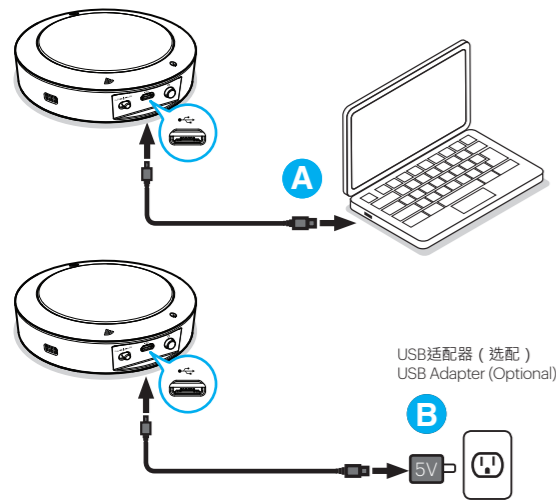
1 连接电源 Connecting the Power

使用以下任一方法连接USB电源:

- 将USB线插入计算机上任何可用的USB端口上。
- 将USB线插入USB电源适配器上。

Connect the USB cable using either method:

- Plug the USB cable into any available USB port on your computer.
- Plug the USB cable into an USB power adapter.

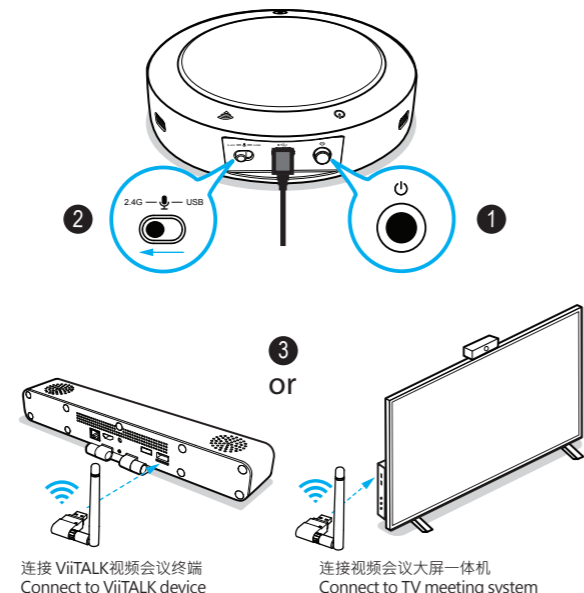


警告! 仅使用UL或3C认证适配器。电流输出为5V DC, 最小1A。使用其他电源适配器可能会产品危险。
Warning! Only the UL or CCC certified power supply can be used, the electrical rated output is 5V DC, minimum is 1A, using other power support may induce risk.

2A 2.4G无线连接 2.4G Wireless Connection

- 按下电源键开启电源。
- 将连线开关切换到2.4G连线模式。
- 将2.4G接收器插入ViiTALK终端设备的USB端口或视频会议大屏一体机上的USB端口上。

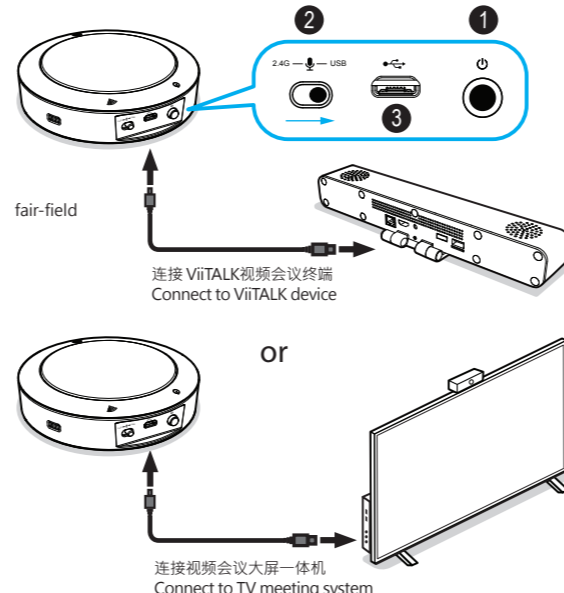
- Press the power button to turn on the power.
- Switch to the 2.4G connection mode.
- Plug the 2.4G receiver into the USB port of the ViiTALK video conferencing device or on the USB port of the TV meeting system.



2B USB有线连接 USB Connection

- 按下电源键开启电源。
- 将连线开关切换到USB连线模式。
- 将随附的USB线连接到ViiTALK终端设备背部的USB端口或视频会议大屏一体机上的USB端口上。

- Press the power button to turn on the power.
- Switch to the USB connection mode.
- Plug the supplied USB cable into the back of the 2.4G microphone and connect another end into the ViiTALK device's USB port or on the USB port of the TV meeting system.



灯号状态描述 LED Status Description

状态 Status	描述 Description
	电源关闭 Power Off
	当电源开启时会显示绿灯 Emits green light when power is turned on.
	搜索信号时会蓝灯闪烁 Blue light flashing when searching for signals.
	当2.4G连线时会显示蓝灯 Emits blue light when 2.4G is connected.
	当USB连线无线灯号会熄灭 The Wi-Fi LED light will be turned off when USB is connected.
	工作状态会显示绿灯, 点击静音按钮可将麦克风静音。 Emits green light when the operation Tap the mute button to mute the microphone.
	当麦克风静音时会显示红灯, 点击静音按钮可取消静音。 Emits red light when the microphone is mute. Tap the mute button to unmute the microphone.

问题排除 Troubleshooting

问: 电源已连接, 但无法检测到2.4G连线
Q: Power is connected, but can not detect the 2.4G signal.

答: 1. 确认设备连接是否有切换到2.4G模式

2. 同步长按2.4G接收器及拾音器重置键2秒直到灯号闪烁重新连线。

- A: 1. Make sure the device is switch to 2.4G connection mode.
2. Press and hold the reset key for 2 seconds on the main unit and USB dongle at the same time until the Wi-Fi LED starts flashing to repair the connection.

问: 没声音

Q: No sound

答: 检查连接或调整连接设备的音量

A: Check the connection or adjust the volume of connected device.

问: 无法通过USB链接连接到PC

Q: Cannot connect to PC via USB link.

答: 使用原配USB线并确认设备是否有切换到USB连线模式

A: Use the original USB cable and make sure the device is switch to USB connection mode.

产品保固 Limited Warranty

用户资讯 User Information

姓名 Name		性别 Gender	
地址 Address			
电子邮件 E-mail			
电话 Phone			
购买地点 Place of purchase			
购买日期 Date of purchase			
产品序号 Product S/N			
经销商信息 Reseller Info.			

本产品提供一年保固从购买日期开始
This product provides limited warranty continues for one (1) year from the date of purchase.

非保固范围 Warranty Exclusions

下列情形不在保固范围内

- 因天灾、地变、雷击、异常电压、环境因素而发生之故障或毁损者。
- 重贴、伪造变造产品序号条码, 或条码遭毁损而无法辨识保固期限者。
- 自行或委托未经原厂授权维修之厂商拆卸、改装或更换非原厂零件。
- 未按使用手册规定操作或因人为不当使用而造成损坏者: 包括但不限于不当之放置致产品浸水、腐蚀、掉落、挤压或露在异常之温度、湿度环境下。
- 产品本体以外支付配件: 如纸盒、说明书等... 附配件。

The following circumstances excluded from warranty coverage

- Product damage caused by catastrophes, thunder stroke, faulty electric power, and environmental factors.
- Defacing of product labeling (label alterations and falsifying, serial number missing, serial number no longer discernible, serial number invalid). All serial numbers are recorded and tracked for warranty purposes.
- Unauthorized changes of non-parts, modifications or alterations, parts removal in or to the products
- Damage caused by operator error or operator fails to comply user manual instruction, such as, but not limited to improper storage resulting in product get wet, corrosion, fell off, squeezed or exposed to inadequate temperature/humid environment.
- Accessories or packing material such as boxes, user manual, etc.